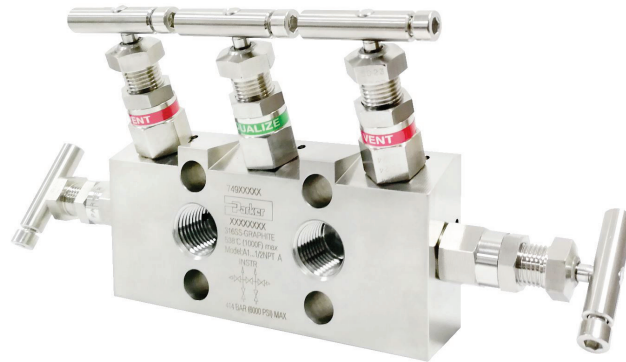




aerospace  
climate control  
electromechanical  
filtration  
fluid & gas handling  
hydraulics  
pneumatics  
process control  
sealing & shielding



# AP Manifolds



ENGINEERING YOUR SUCCESS.

## > INTRODUCTION

Parker AP Manifold Valves are a consolidation of single valves into a block and allow engineers the flexibility to perform various tasks and functions while reduce installation costs and improve safety performance. It have been engineered for use at pressures up to 6,000 PSI (414 bar) and temperatures as high as 1,000 °F (538 °C). A non-rotating lower stem helps to extend packing life by removing rotation from the packing area. Stem packing below the threads isolates the thread lubricant from the flow, ensuring adequate lubrication regardless of the media.

Continuous product development may from time to time necessitate changes in the details contained in this catalogue. Parker Hannifin reserve the right to make such changes at their discretion and without prior notification. All dimensions shown in this catalogue are approximate and subject to change.



### **WARNING**

FAILURE, IMPROPER SELECTION OR IMPROPER USE OF THE PRODUCTS AND/OR SYSTEMS DESCRIBED HEREIN OR RELATED ITEMS CAN CAUSE DEATH, PERSONAL INJURY AND PROPERTY DAMAGE.

This document and other information from Parker Hannifin Corporation, its subsidiaries and authorized distributors provide product and/or system options for further investigation by users having technical expertise. It is important that you analyze all aspects of your application and review the information concerning the product or system in the current product catalog. Due to the variety of operating conditions and applications for these products or systems, the user, through its own analysis and testing, is solely responsible for making the final selection of the products and systems and assuring that all performance, safety and warning requirements of the application are met.

The products described herein, including without limitation, product features, specifications, designs, availability and pricing, are subject to change by Parker Hannifin Corporation and its subsidiaries at any time without notice.

## > FEATURES AND SPECIFICATIONS

### 10. Handle

Safty solid bar handle for ease of operation

### 4. Packing Adjuster

For maximum packing stability and performance, simple and easily adjustable for gland wear compensation.

### 3. Lock Nut

A secure anti vibration locking mechanism to prevent inadvertent gland packing adjuster loosening.

### 15. Label

providing colour coded functional identification.

### 2. Bonnet

Heat code for traceability bonnet with replaceable sealing washer

### 11. Lock Pin

Bonnet locking pin to prevent accidental removal fitted as standard.(behind)

### 13. Bonnet / Body Washer

Annealed sealing washer to ensure complete atmospheric leakage and allowing on site retrofit of bonnets with 100% re-sealing assurance

### 1. Valve Body

Heat coded on body for traceability

For safty reliable and repeatable performance

### 12. Set Screw

Compact design with socket head set screw

### 14. Dust Wiper

Graphite dust wiper protect valve from external contamination

### 6. Upper Stem

Safety back seated upper stem prevents stem blowout

### 8. Ball

Rolling ball reduce operate torque for ease of operation

### 7. Lower Stem

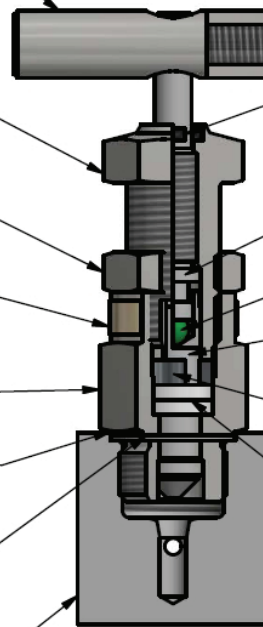
None rotate lower stem provide low operating torque, long service life. Improve Performances and reliability.

### 9. Thrust Bush

Anti rotational adjustor bush ensures uniform packing compression, maximising pressure tight sealing and limiting cold flow passages.

### 5. Packing

Packing below the threads protects thread lubricants from media and isolates the lubricants from the media.



Item	Part	Material
1	Valve Body	ASTM A479 316SS
2	Bonnet	ASTM A479 316SS
3	Lock Nut	ASTM A479 316SS
4	Packing Adjuster	ASTM A479 316SS
5	Packing	Graphite / PTFE
6	Upper Stem	ASTM A479 316SS
7	Lower Stem	ASTM A479 316SS
8	Ball	ASTM A276 440C
9	Thrust Bush	ASTM A479 316SS
10	Handle	ASTM A479 316SS
11	Lock Pin	18-8(1.4310)
12	Lock Screw	A4-70 Stainless Steel
13	Bonnet / Body Washer	ASTM A479 316SS
14	Dust Wiper	Graphite
15	Label	Plastic

## Specification

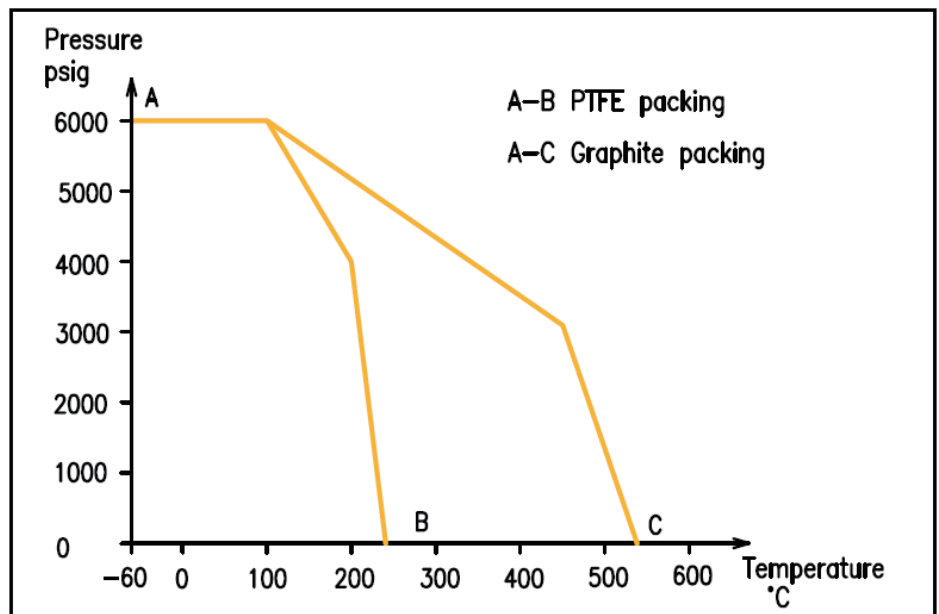
- Height closed = 59mm (2.32") ref.
- Height open = 63.5mm (2.5") ref.
- Stainless steel construction.
- Maximum standard pressure up to 6,000 psig (414barg).
- Temperature rating -54°C to +538°C (-65F to +1000F).
- PTFE standard gland packing (Graphite optional).
- Maximum temperature PTFE 232°C (450F).
- Maximum temperature Graphite 538°C (1000F).
- Standard orifice: 4mm



## Features

- Safety solid bar handle
- Safety back seated upper stem prevents stem blowout
- Graphite Dust wiper protect valve from external contaminates
- Packing below the threads protects thread lubricants from media and isolates the lubricants from the media.
- Stem swivel above the packing eliminates entrapment area and increases packing life.
- Non-rotating lower stem provide low operating torque, long service life. Improve Performances and Reliability.
- Bonnet locking pin to prevent accidental removal fitted as standard.
- 316 stainless steel construction.
- 100% factory tested.
- NACE certified wetted parts available.
- Heat code traceable body and bonnet.

## Pressure vs. Temperature

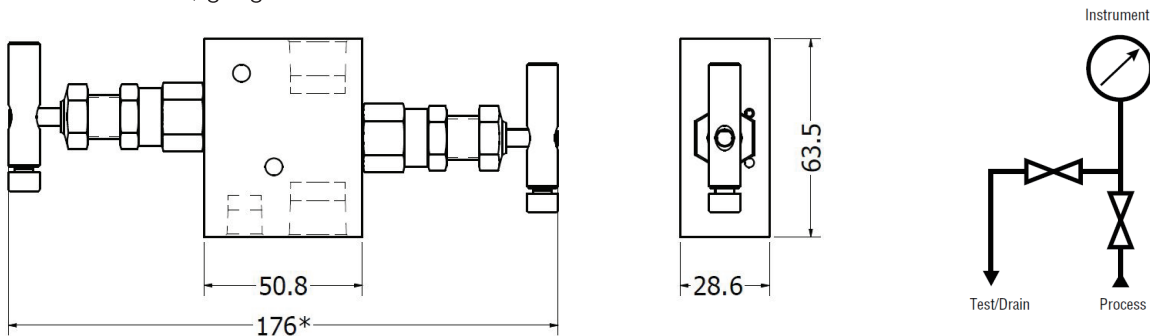


## > CONSTRUCTION DIMENSIONS

All dimensions shown in this catalogue are approximate and subject to change.

### Remote mount static pressure two valve manifold

This series of two-valve manifolds combine valves into one block to perform isolation, bleed and calibration of pressure transmitters, gauges and switches.

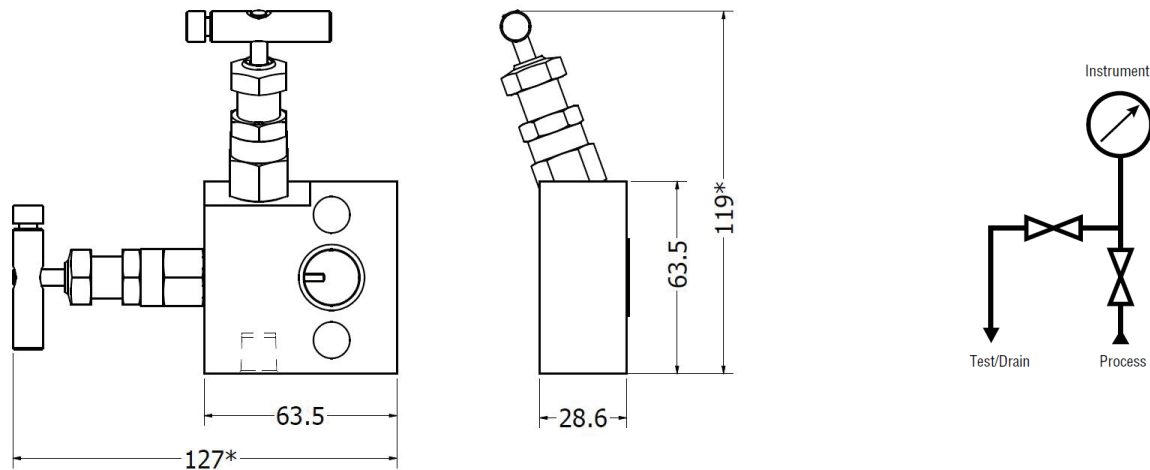


TRS2VF & TRS2VFG

Part No.	Inlet/Process	Outlet/Inst.	Drain/bleed/test	Packing
TRS2VF	1/2" female NPT	1/2" female NPT	1/4" female NPT	PTFE
TRS2VFG	1/2" female NPT	1/2" female NPT	1/4" female NPT	Graphite

### Direct mount static pressure two valve manifold

This series of two valve manifolds is designed for direct mounting to process measurement pressure transmitters. Standard functions include isolation and bleed.

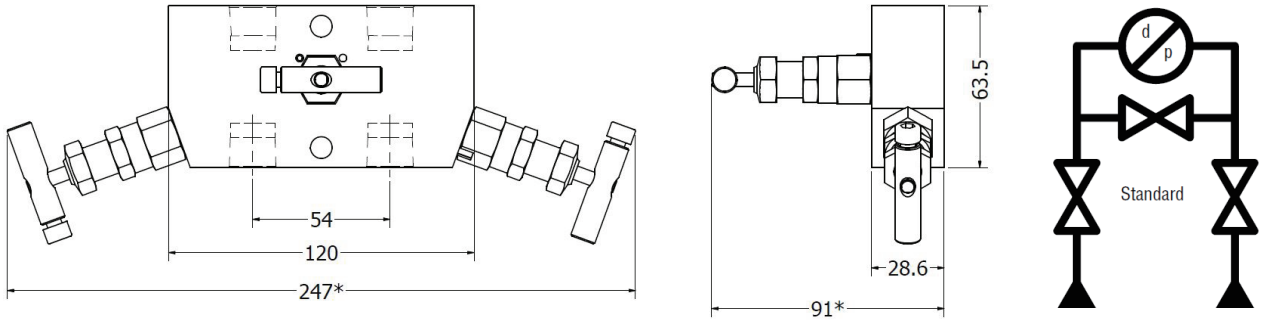


TDS2VFFL & TDS2VFFLG

Part No.	Inlet/Process	Outlet/Inst.	Drain/bleed/test	Packing	Seal ring
TDS2VFFL	1/2" female NPT	Flanged	1/4" female NPT	PTFE	PTFE
TDS2VFFLG	1/2" female NPT	Flanged	1/4" female NPT	Graphite	Graphite

Manifold supply with 2 off 7/16 UNF x 1.625" zinc plated carbon steel bolts

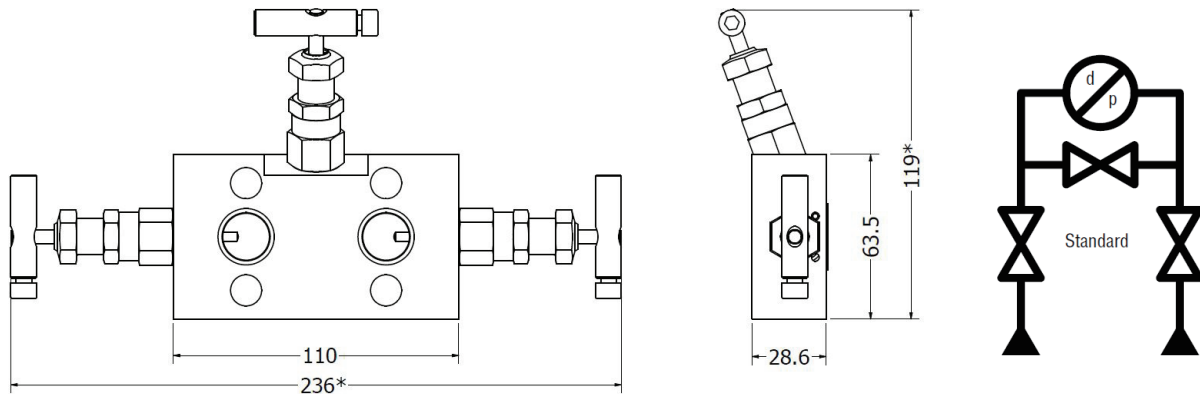
### Remote mount three valve manifold



TRS3VF & TRS3VFG

Part No.	Inlet/Process	Outlet/Inst.	Drain/bleed/test	Packing
TRS3VF	1/2" female NPT	1/2" female NPT	/	PTFE
TRS3VFG	1/2" female NPT	1/2" female NPT	/	Graphite

### Direct mount three valve manifold



TDS3VFFL & TDS3VFFLG

Part No.	Inlet/Process	Outlet/Inst.	Drain/bleed/test	Packing	Seal ring
TDS3VFFL	1/2" female NPT	Flanged	/	PTFE	PTFE
TDS3VFFLG	1/2" female NPT	Flanged	/	Graphite	Graphite

Manifold supply with 4 off 7/16 UNF x 1.625" zinc plated carbon steel bolts

### Remote mount five valve manifold

Compact design manifold for remote installation from differential pressure transmitters.

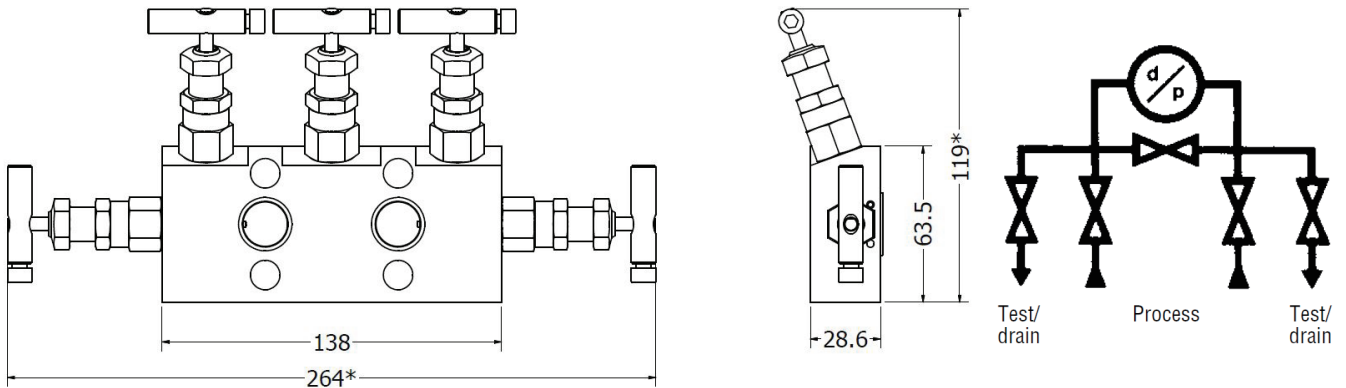


TRS5VF & TRS5VFG

Part No.	Inlet/Process	Outlet/Inst.	Drain/bleed/test	Packing
TRS5VF	1/2" female NPT	1/2" female NPT	1/4" female NPT	PTFE
TRS5VFG	1/2" female NPT	1/2" female NPT	1/4" female NPT	Graphite

### Direct mount five valve manifold

Compact design particularly suited for enclosure installation and for direct mounting to differential pressure transmitters with 54mm/2.125" mounting centres.



TDS5VFFL & TDS5VFFLG

Part No.	Inlet/Process	Outlet/Inst.	Drain/bleed/test	Packing	Seal ring
TDS5VFFL	1/2" female NPT	Flanged	1/4" female NPT	PTFE	PTFE
TDS5VFFLG	1/2" female NPT	Flanged	1/4" female NPT	Graphite	Graphite

Manifold supply with 4 off 7/16 UNF x 1.625" zinc plated carbon steel bolts

# Parker Worldwide

## Europe, Middle East, Africa

**AE – United Arab Emirates, Dubai**  
Tel: +971 4 8127100  
parker.me@parker.com

**AT – Austria, Wiener Neustadt**  
Tel: +43 (0)2622 23501-0  
parker.austria@parker.com

**AT – Eastern Europe, Wiener Neustadt**  
Tel: +43 (0)2622 23501 900  
parker.easteurope@parker.com

**AZ – Azerbaijan, Baku**  
Tel: +994 50 2233 458  
parker.azerbaijan@parker.com

**BE/LU – Belgium, Nivelles**  
Tel: +32 (0)67 280 900  
parker.belgium@parker.com

**BG – Bulgaria, Sofia**  
Tel: +359 2 980 1344  
parker.bulgaria@parker.com

**BY – Belarus, Minsk**  
Tel: +375 17 209 9399  
parker.belarus@parker.com

**CH – Switzerland, Etoy**  
Tel: +41 (0)21 821 87 00  
parker.switzerland@parker.com

**CZ – Czech Republic, Klecany**  
Tel: +420 284 083 111  
parker.czechrepublic@parker.com

**DE – Germany, Kaarst**  
Tel: +49 (0)2131 4016 0  
parker.germany@parker.com

**DK – Denmark, Ballerup**  
Tel: +45 43 56 04 00  
parker.denmark@parker.com

**ES – Spain, Madrid**  
Tel: +34 902 330 001  
parker.spain@parker.com

**FI – Finland, Vantaa**  
Tel: +358 (0)20 753 2500  
parker.finland@parker.com

**FR – France, Contamine s/Arve**  
Tel: +33 (0)4 50 25 80 25  
parker.france@parker.com

**GR – Greece, Athens**  
Tel: +30 210 933 6450  
parker.greece@parker.com

**HU – Hungary, Budaörs**  
Tel: +36 23 885 470  
parker.hungary@parker.com

**IE – Ireland, Dublin**  
Tel: +353 (0)1 466 6370  
parker.ireland@parker.com

**IT – Italy, Corsico (MI)**  
Tel: +39 02 45 19 21  
parker.italy@parker.com

**KZ – Kazakhstan, Almaty**  
Tel: +7 7273 561 000  
parker.easteurope@parker.com

**NL – The Netherlands, Oldenzaal**  
Tel: +31 (0)541 585 000  
parker.nl@parker.com

**NO – Norway, Asker**  
Tel: +47 66 75 34 00  
parker.norway@parker.com

**PL – Poland, Warsaw**  
Tel: +48 (0)22 573 24 00  
parker.poland@parker.com

**PT – Portugal, Leca da Palmeira**  
Tel: +351 22 999 7360  
parker.portugal@parker.com

**RO – Romania, Bucharest**  
Tel: +40 21 252 1382  
parker.romania@parker.com

**RU – Russia, Moscow**  
Tel: +7 495 645-2156  
parker.russia@parker.com

**SE – Sweden, Spånga**  
Tel: +46 (0)8 59 79 50 00  
parker.sweden@parker.com

**SK – Slovakia, Banská Bystrica**  
Tel: +421 484 162 252  
parker.slovakia@parker.com

**SL – Slovenia, Novo Mesto**  
Tel: +386 7 337 6650  
parker.slovenia@parker.com

**TR – Turkey, Istanbul**  
Tel: +90 216 4997081  
parker.turkey@parker.com

**UA – Ukraine, Kiev**  
Tel: +380 44 494 2731  
parker.ukraine@parker.com

**UK – United Kingdom, Warwick**  
Tel: +44 (0)1926 317 878  
parker.uk@parker.com

**ZA – South Africa, Kempton Park**  
Tel: +27 (0)11 961 0700  
parker.southafrica@parker.com

## North America

**CA – Canada, Milton, Ontario**  
Tel: +1 905 693 3000

**US – USA, Cleveland**  
Tel: +1 216 896 3000

## Asia Pacific

**AU – Australia, Castle Hill**  
Tel: +61 (0)2-9634 7777

**CN – China, Shanghai**  
Tel: +86 21 2899 5000

**HK – Hong Kong**  
Tel: +852 2428 8008

**IN – India, Mumbai**  
Tel: +91 22 6513 7081-85

**JP – Japan, Tokyo**  
Tel: +81 (0)3 6408 3901

**KR – South Korea, Seoul**  
Tel: +82 2 559 0400

**MY – Malaysia, Shah Alam**  
Tel: +60 3 7849 0800

**NZ – New Zealand, Mt Wellington**  
Tel: +64 9 574 1744

**SG – Singapore**  
Tel: +65 6887 6300

**TH – Thailand, Bangkok**  
Tel: +662 186 7000-99

**TW – Taiwan, Taipei**  
Tel: +886 2 2298 8987

## South America

**AR – Argentina, Buenos Aires**  
Tel: +54 3327 44 4129

**BR – Brazil, Sao Jose dos Campos**  
Tel: +55 800 727 5374

**CL – Chile, Santiago**  
Tel: +56 2 623 1216

**MX – Mexico, Apodaca**  
Tel: +52 81 8156 6000

---

18-11-B ING-EN-8P- AP Manifold

## Parker Hannifin Instrumentation



ENGINEERING YOUR SUCCESS.